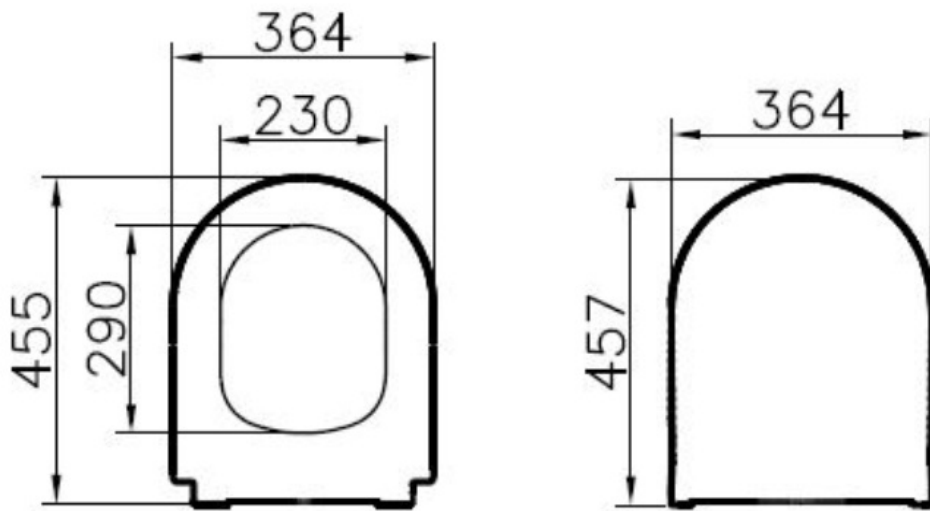


# VitrA

Description Universal Slim WC Seat Model 2 - Round Form  
(Duroplast, Soft-Closing, Detachable Metal Hinge,  
Top Fixing, Quick Release)

Code 110-003R019  
Shape Round  
Hinge Option Metal Hinge, Top Fixing  
Soft-Close Available  
Material Duroplast  
Product Properties Soft-Close  
Colour White  
Width 36,4  
Height 45,7



VitrA retains the right to change details about the products and technical specifications without prior notice.